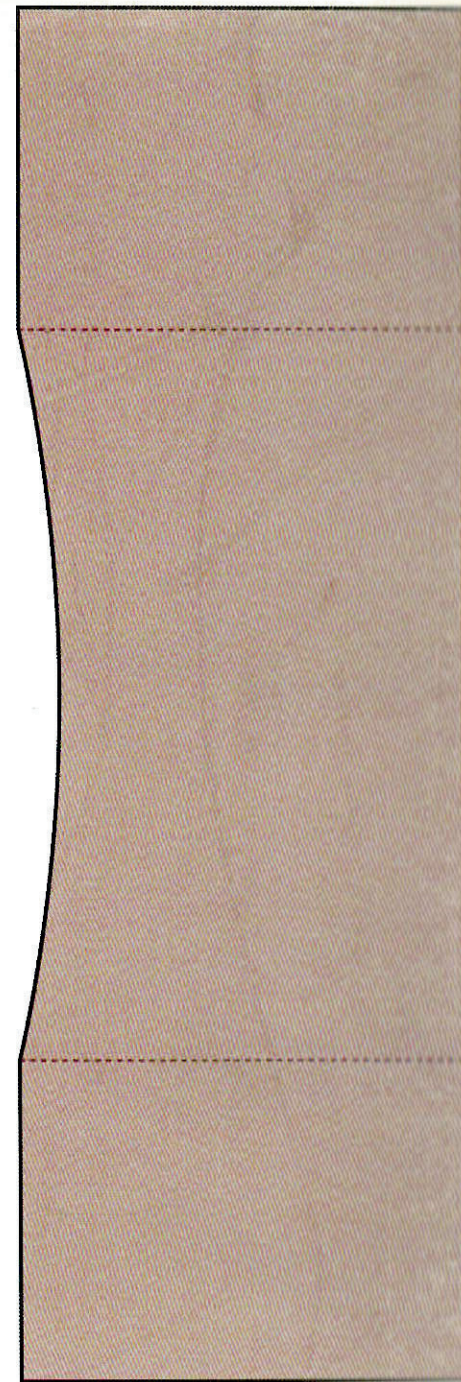
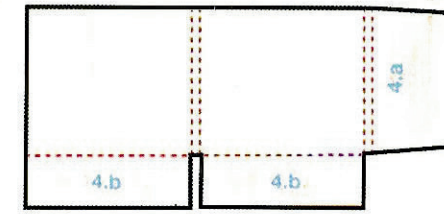
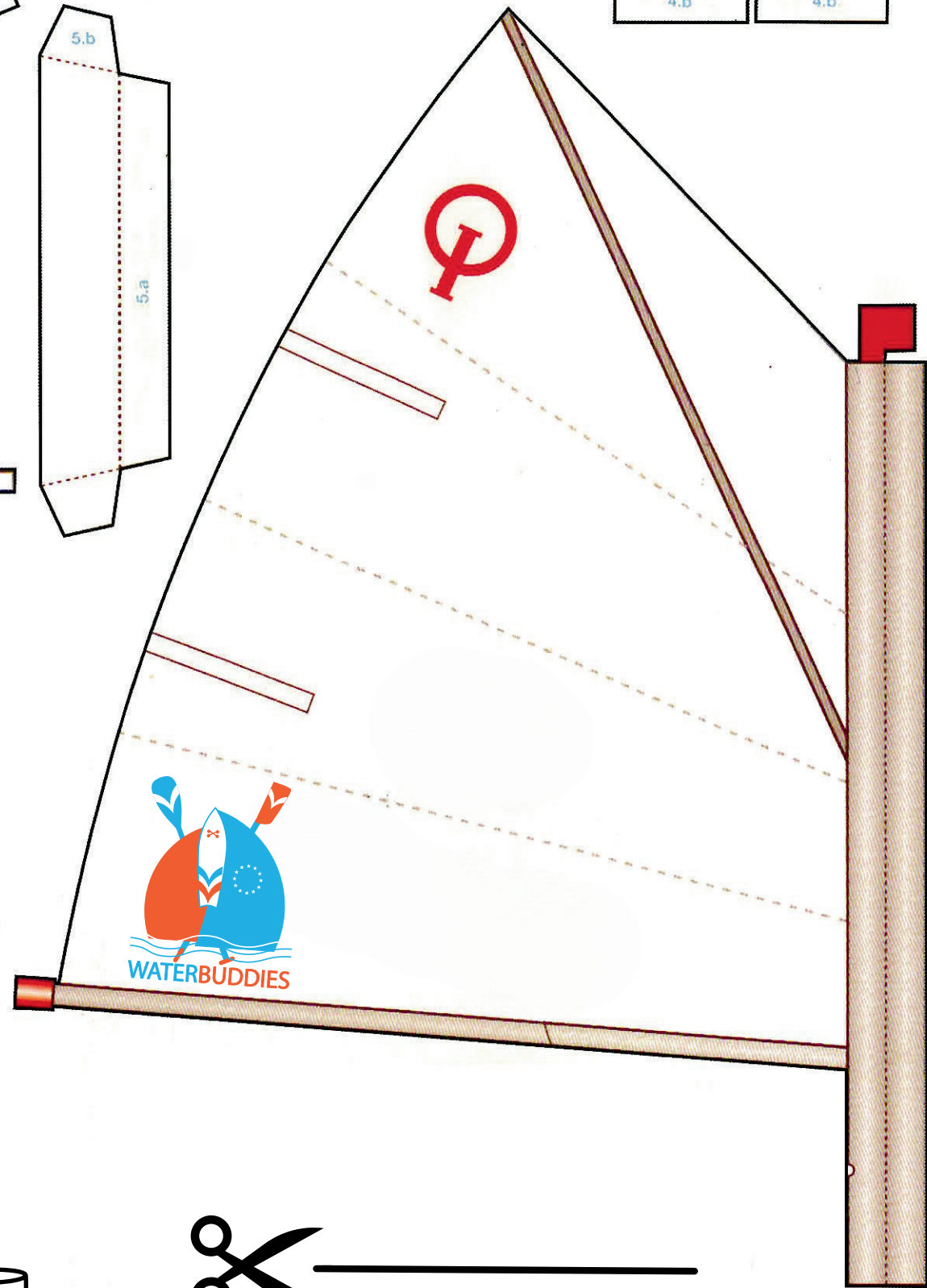
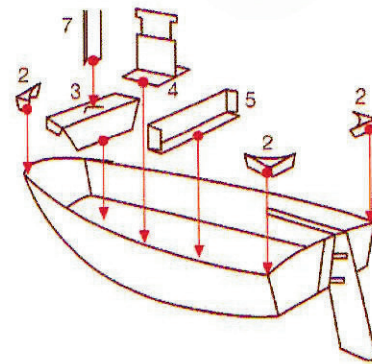
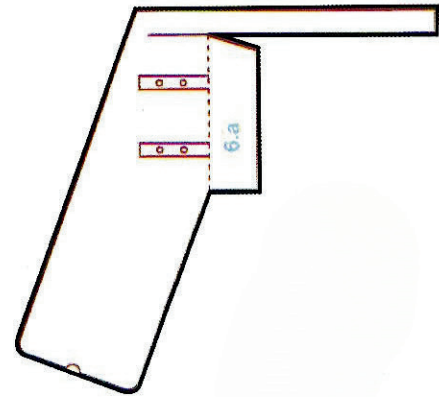
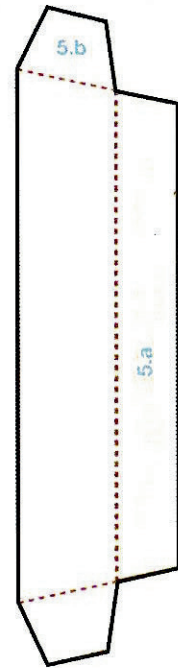
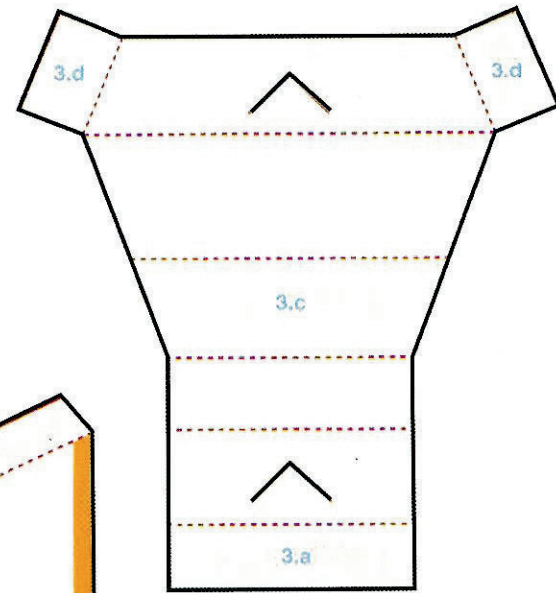
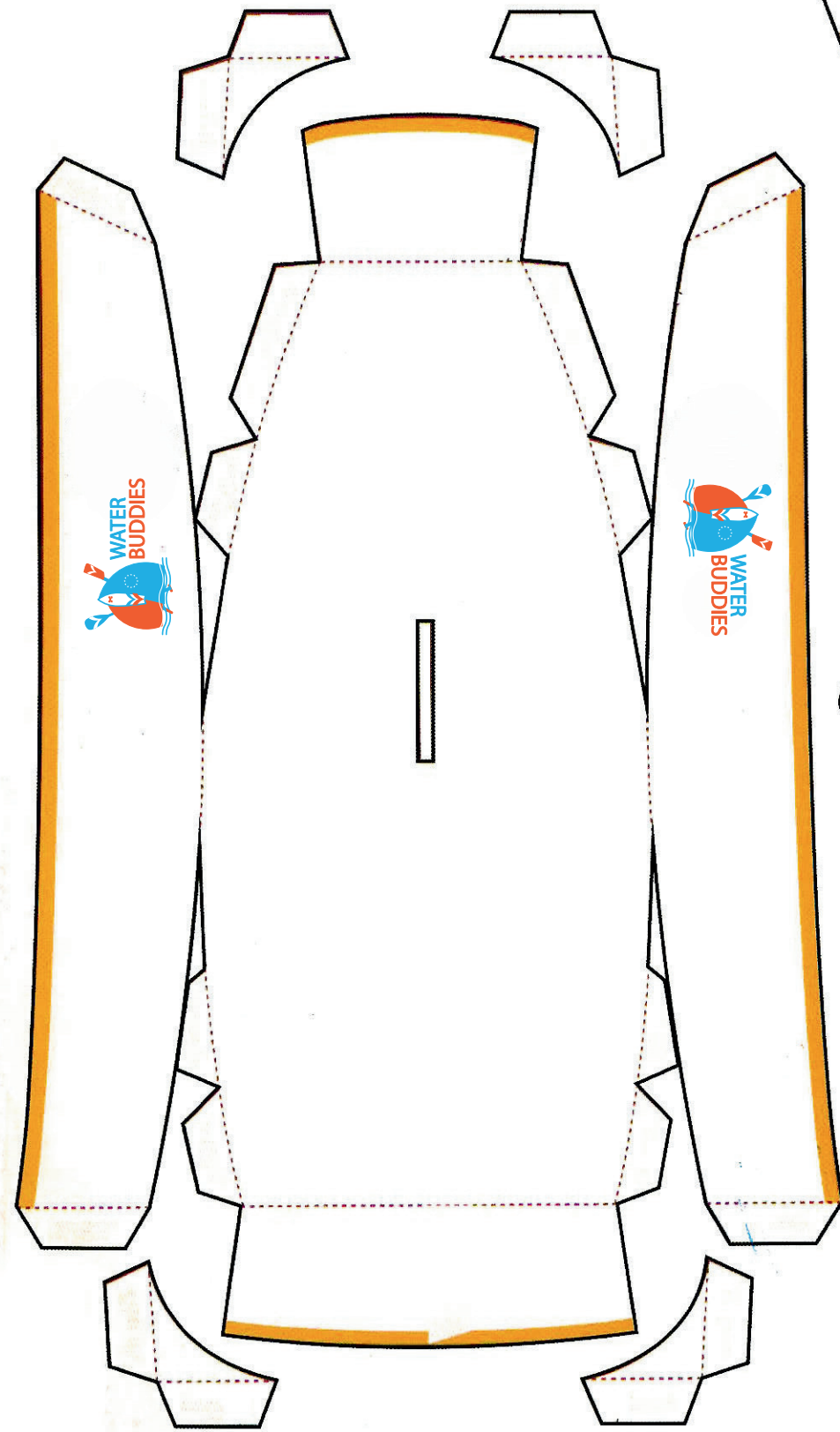


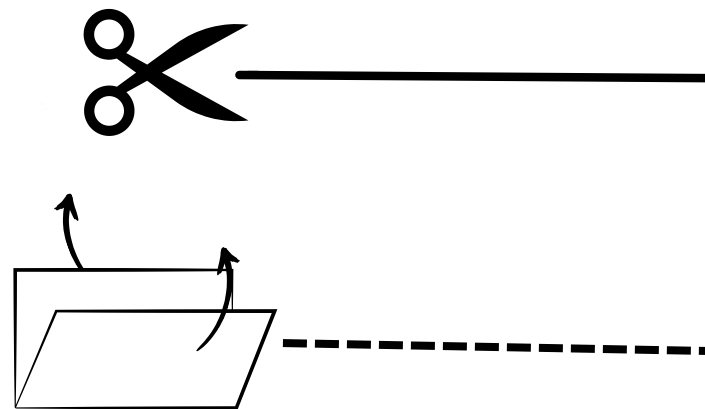
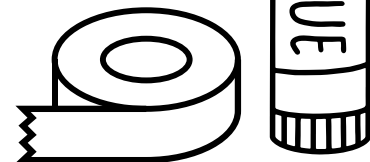
Opti Building

template

(min. A3 paper format)



Co-funded by
the European Union



OPTIMIST - THE TREASURE HUNT LIST

LIST OF OPTIMIST PARTS

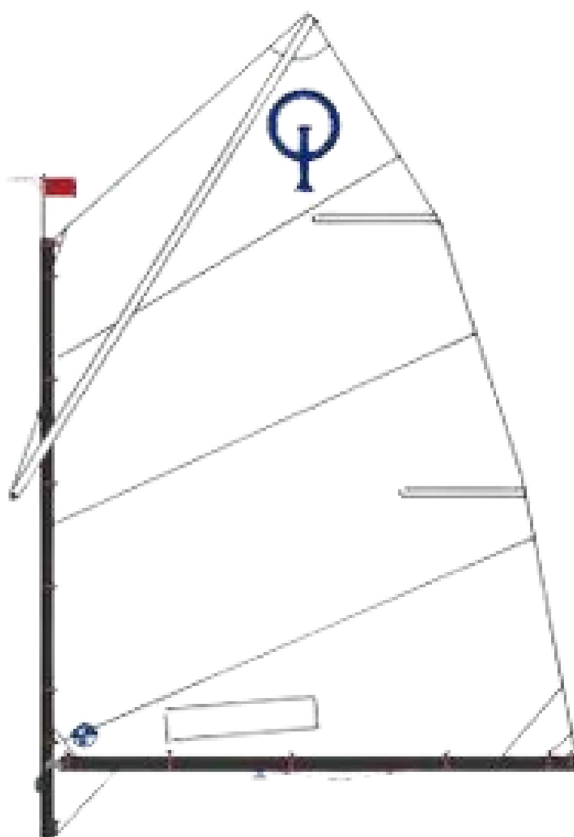
- *Hull*



- *Trolley*

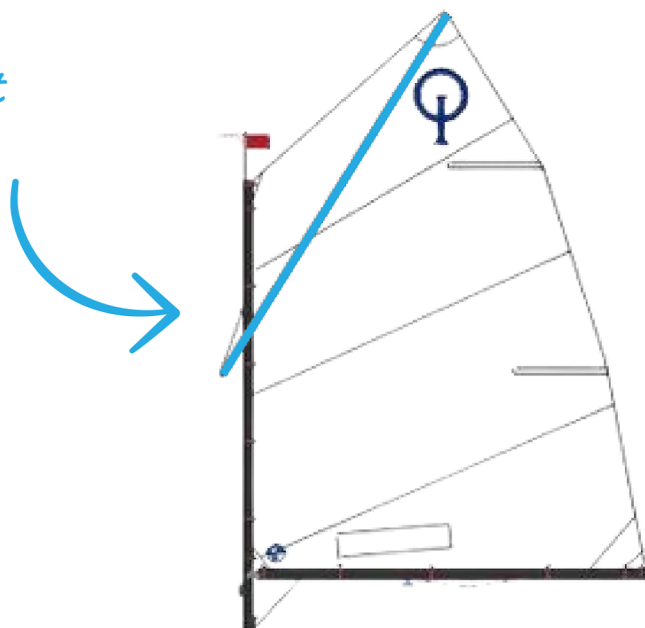


- *Sail
with the Mast
and Boom*



OPTIMIST - THE TREASURE HUNT LIST

- *Sprit*



- *Rudder*



- *Centreboard*



- *Paddle*



WINDSURFING - THE TREASURE HUNT LIST

LIST OF WINDSURFING PARTS

1. **SAIL:** Its in a bag, it looks like a tube and its colorful.



2. **BOOM:** Its soft and looks like a fish.



3. **MAST:** When you connect them together, it becomes very tall and its black.



WINDSURFING - THE TREASURE HUNT LIST

LIST OF WINDSURFING PARTS

4. EXTENSION: Use it and the sail will get taller.



5. BASE: The connector



6. FIN: All the fish has one.



7. BOARD: When you ride, it feels like flying.



WINDSURFING - THE TREASURE HUNT LIST

